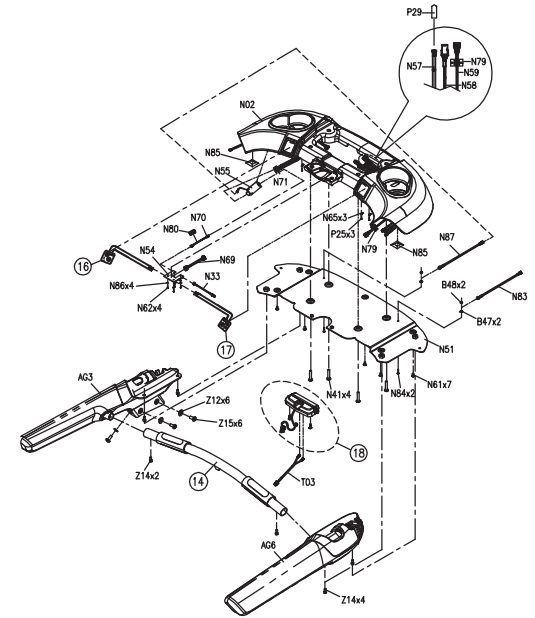
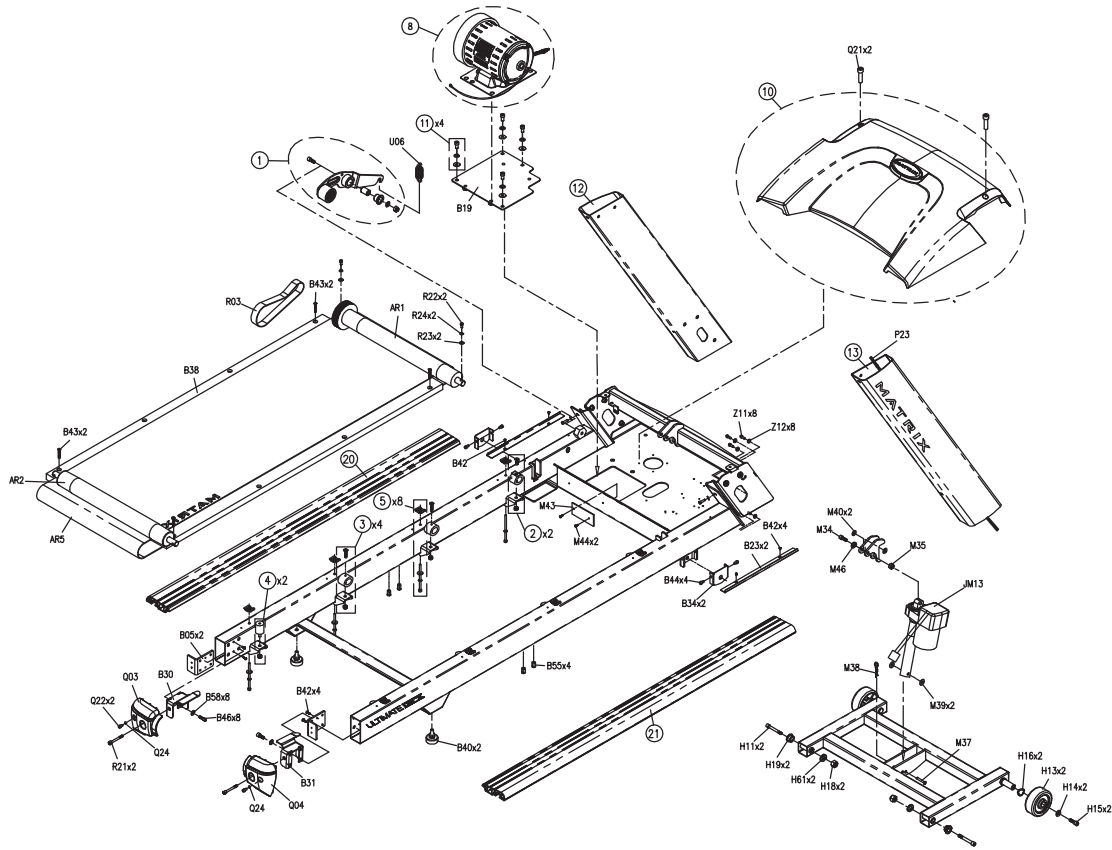


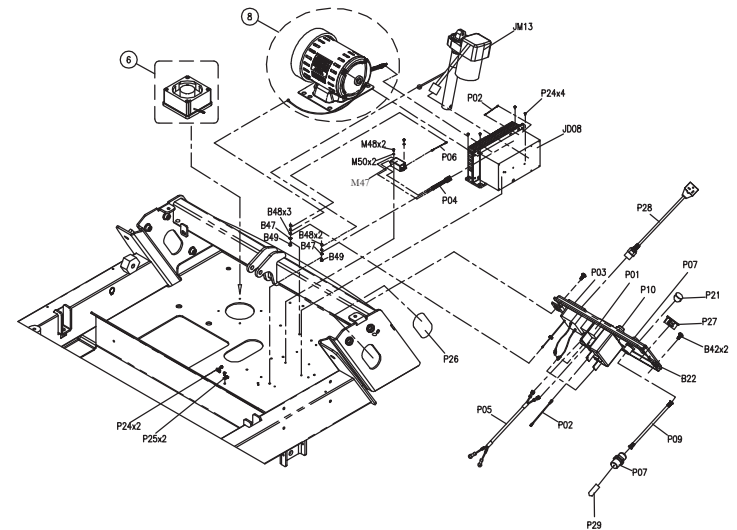
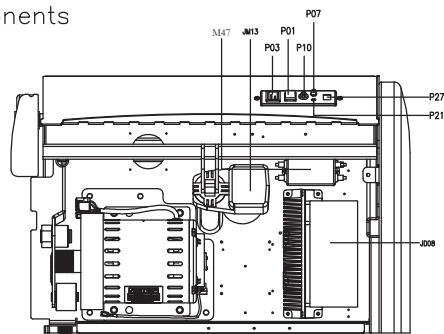
DRAWING NO	TM507B-A04		
PART NAME	Explosive Rendering		
PART NO	1000201057		
APPROVE	SHUYI	DATE	2010.09.13

Service Drawing of TM507B-1US-F/TM507B-3JP-F



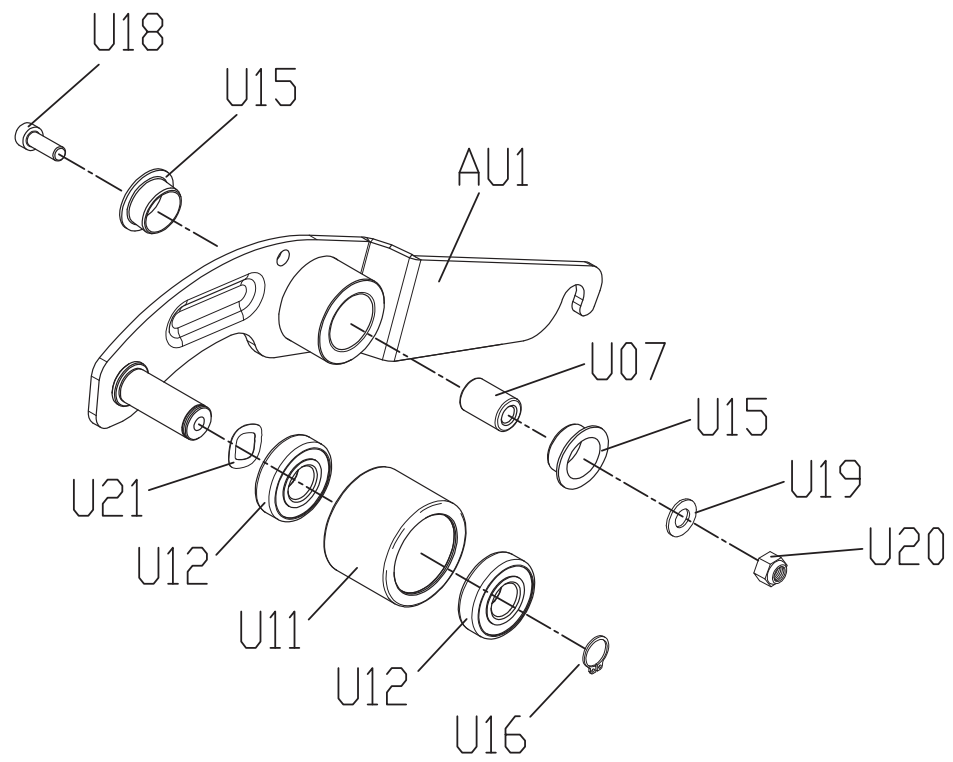
Detail view of Console Base

Top View of Electrical Components

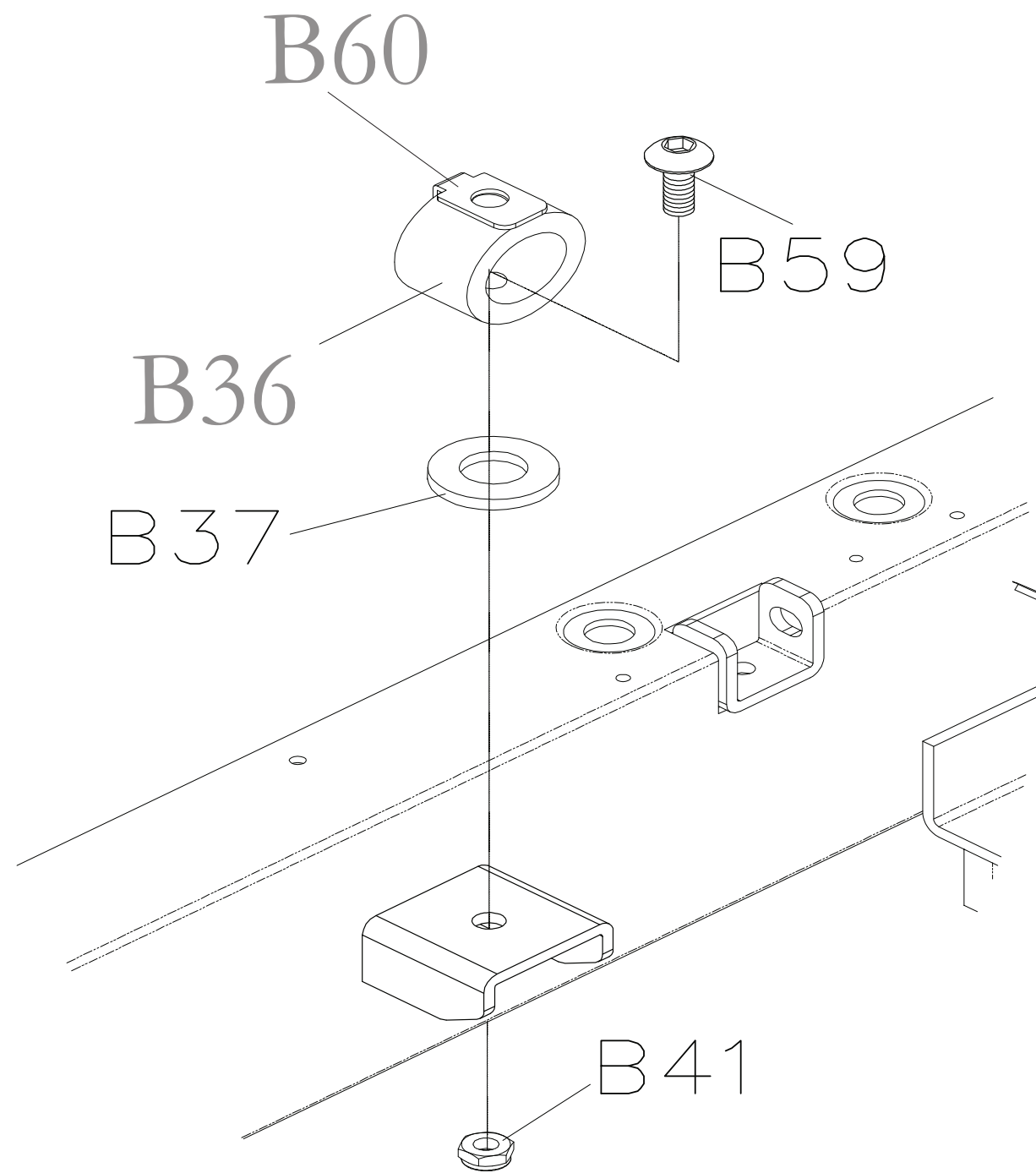


Detail View of Electrical Components

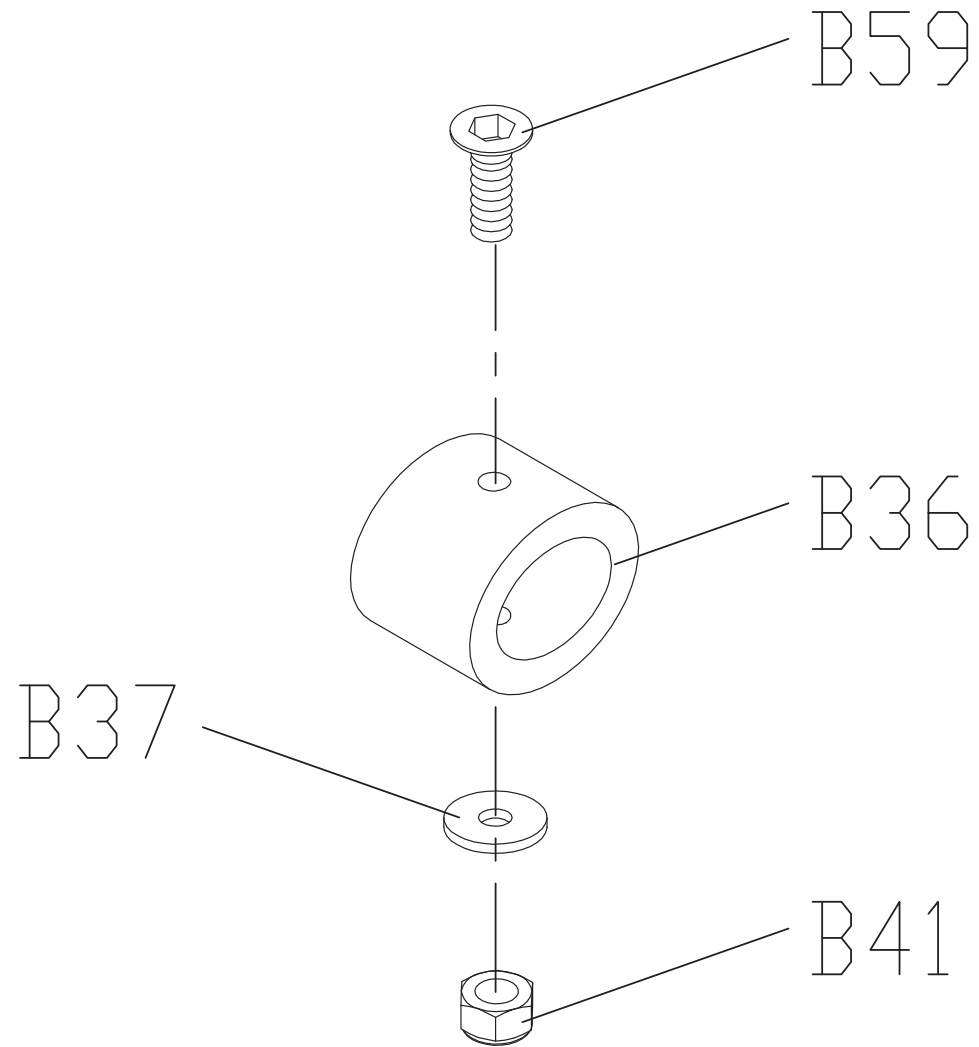
0000087197



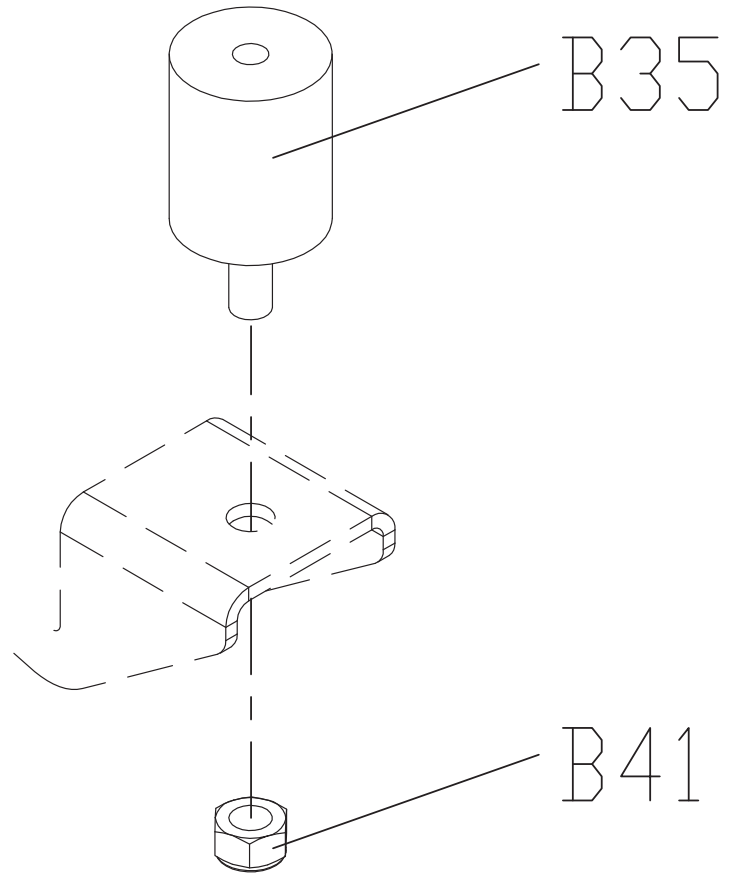
0000091091



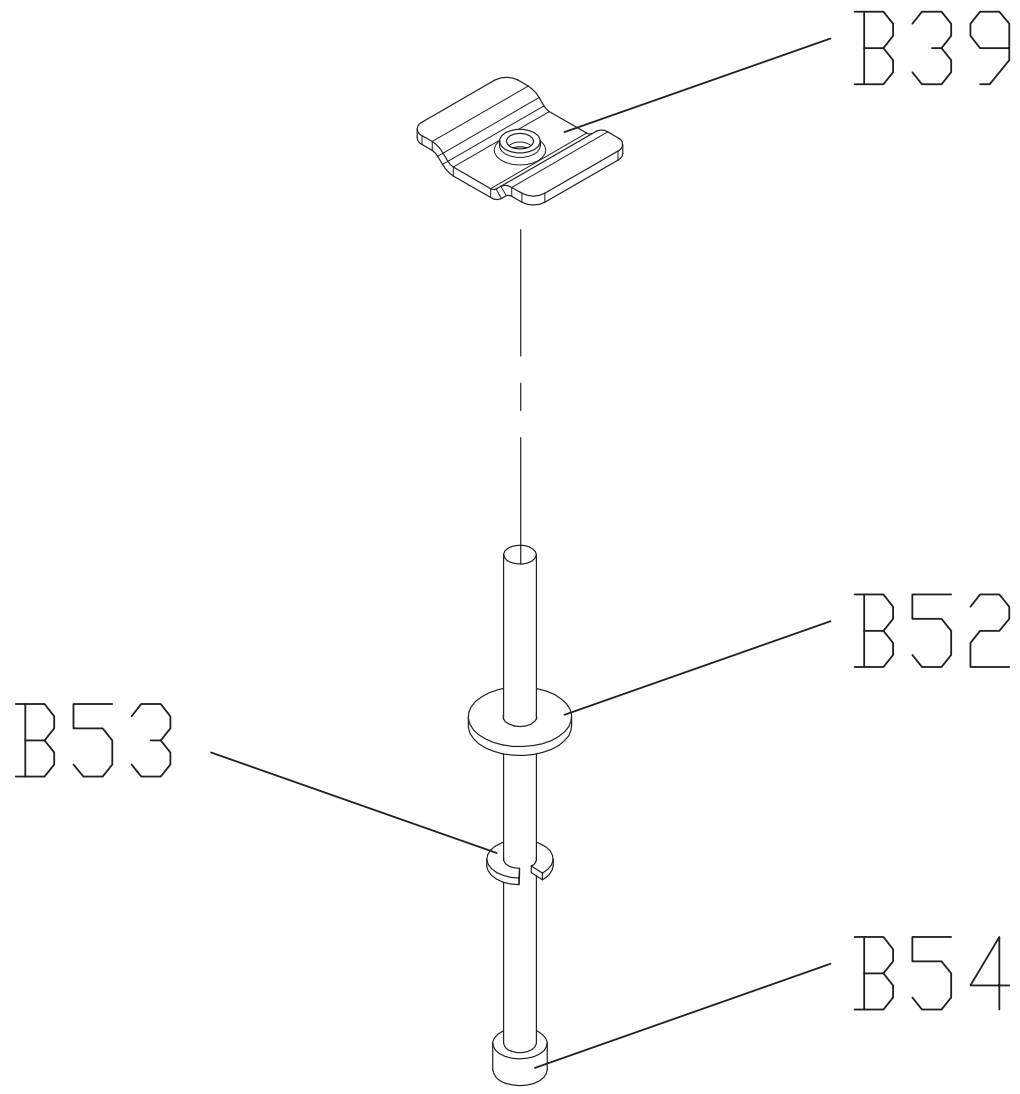
0000093039



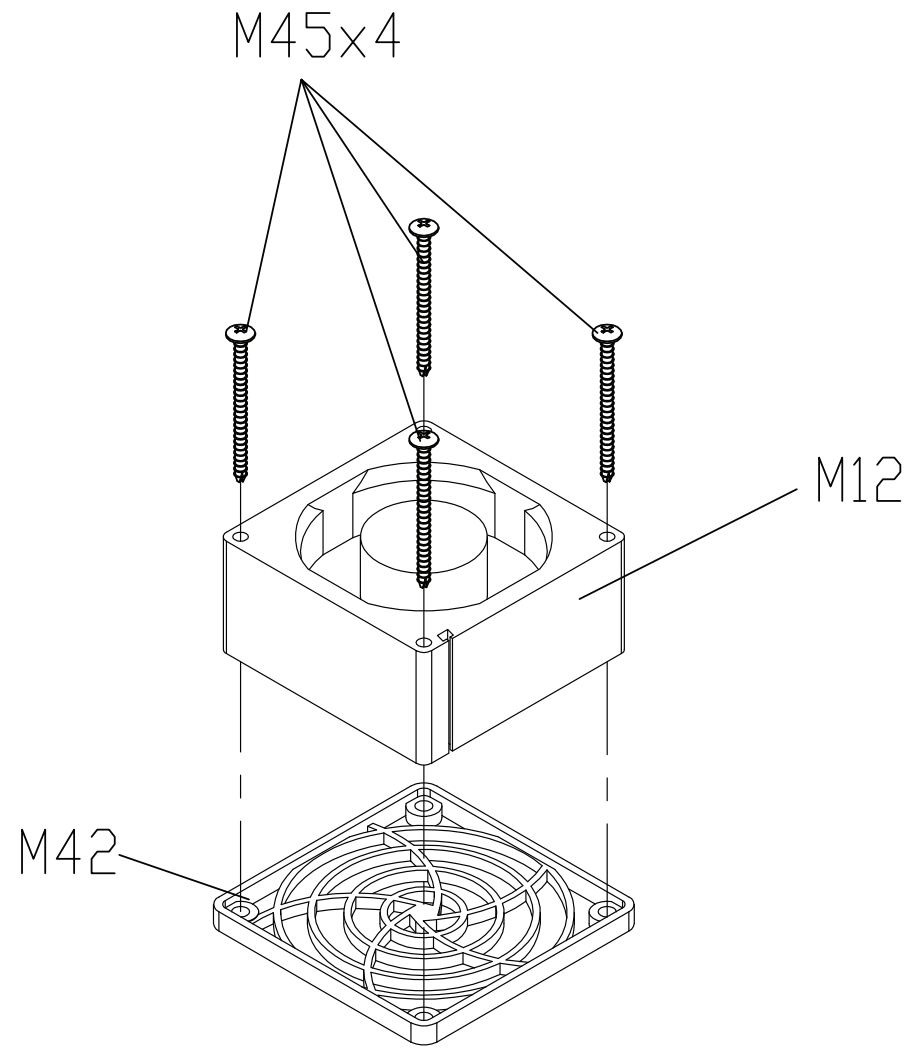
0000091092



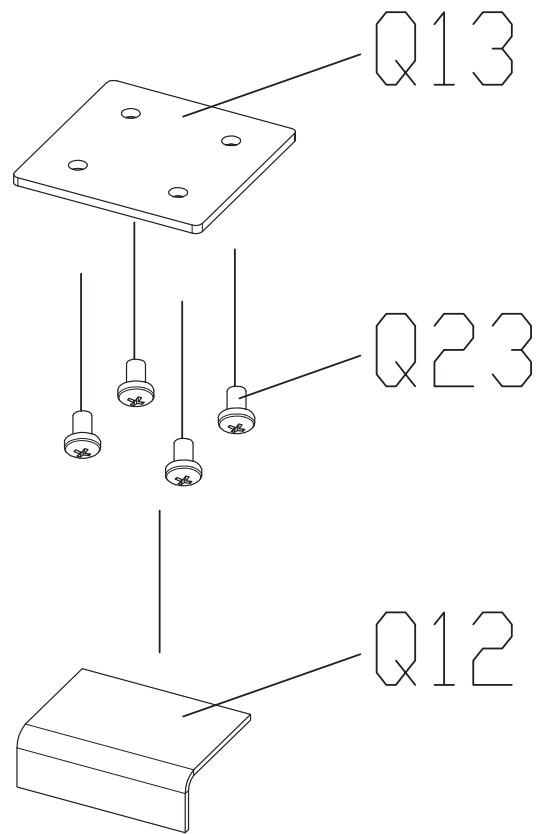
0000091093



1000202962

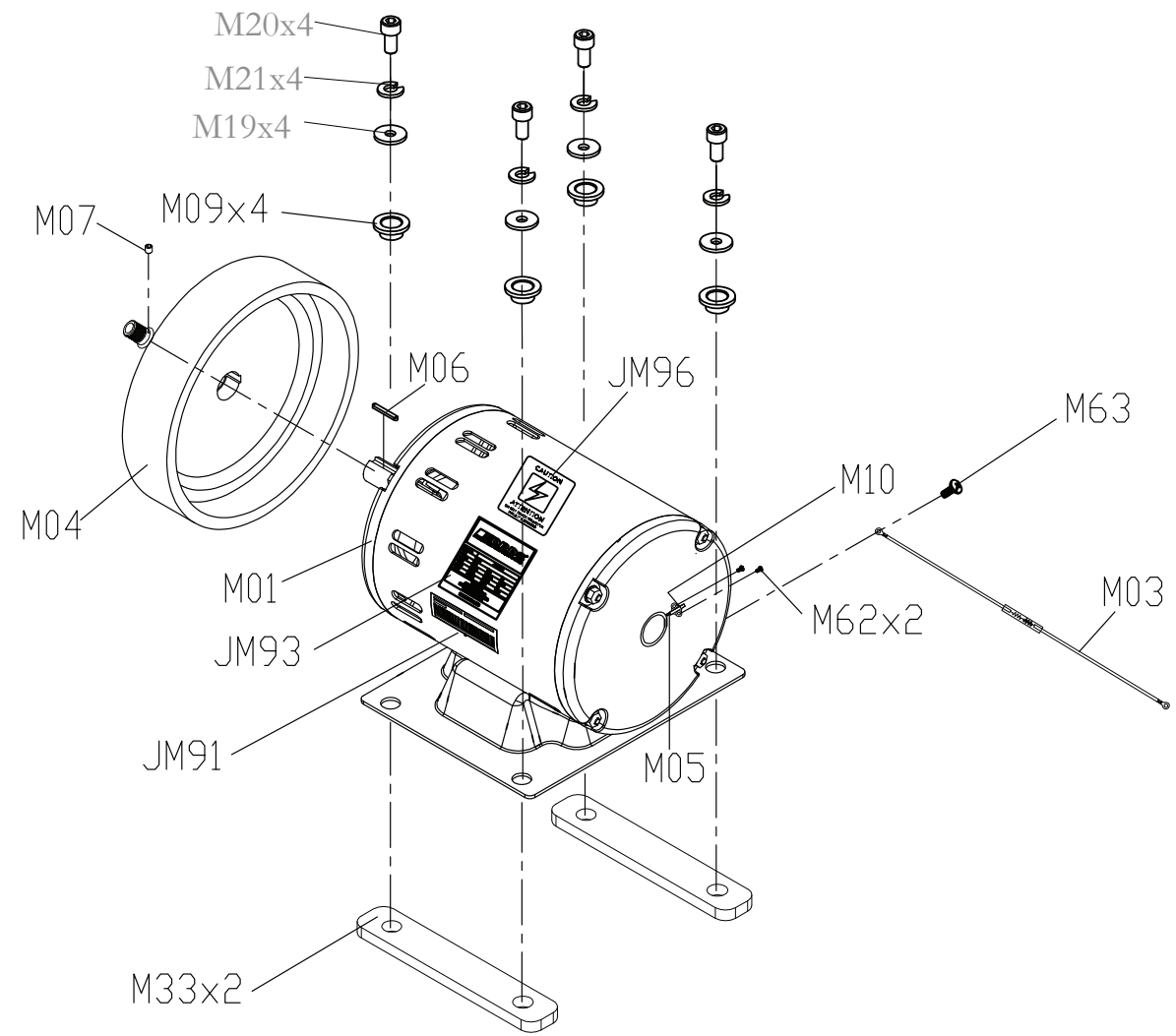


0000093024

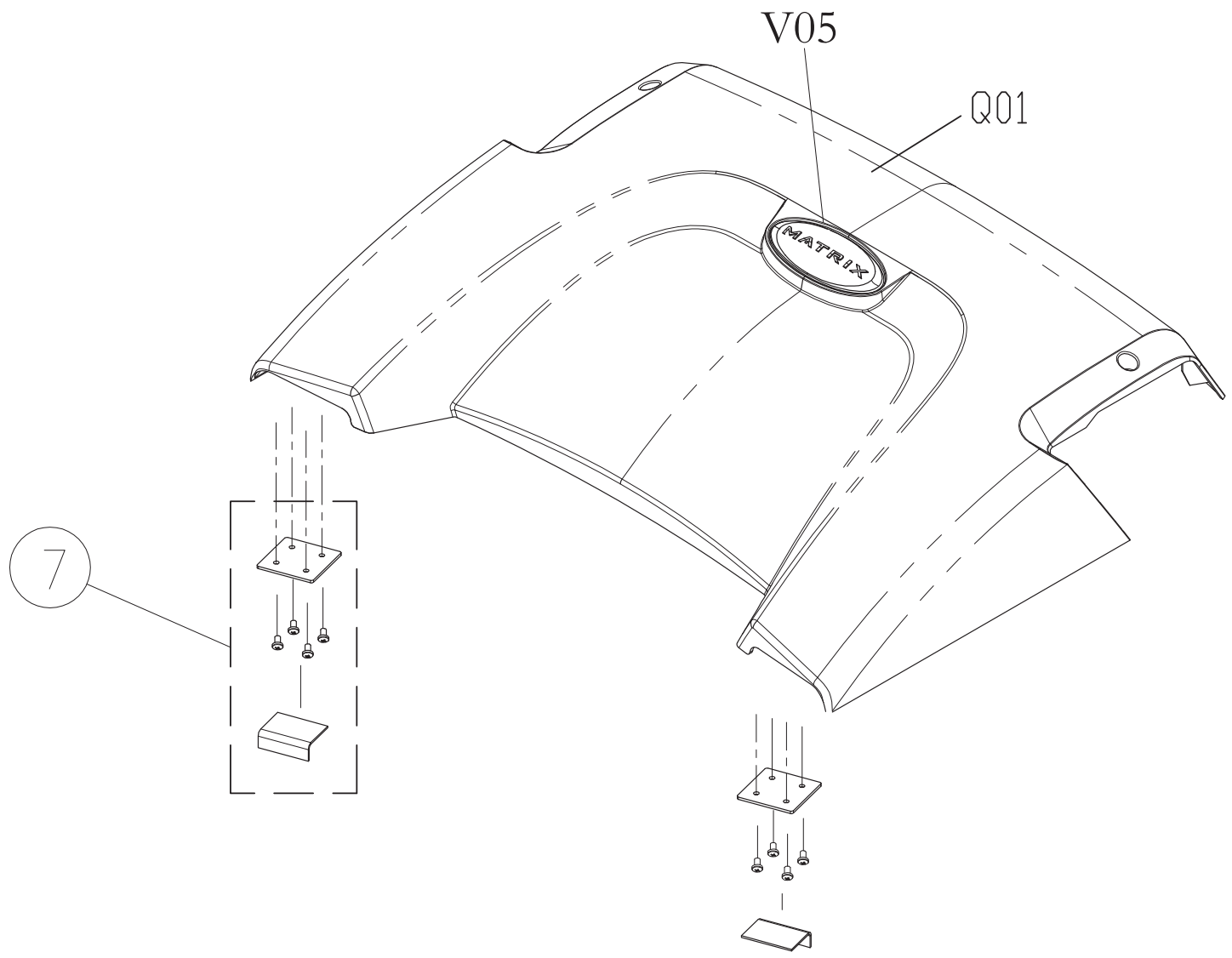




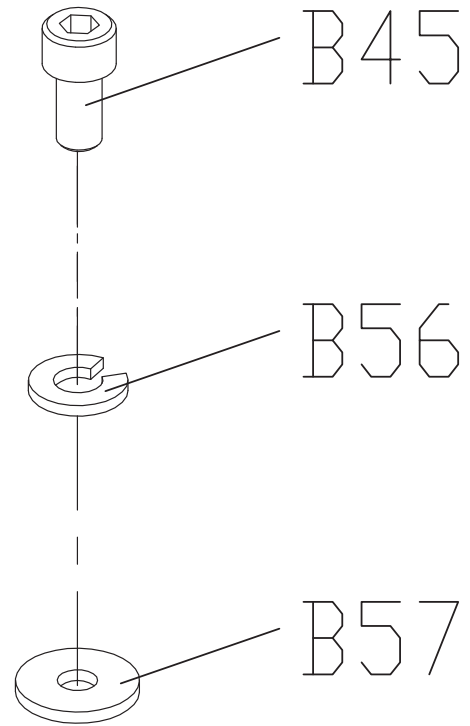
# 1000201059



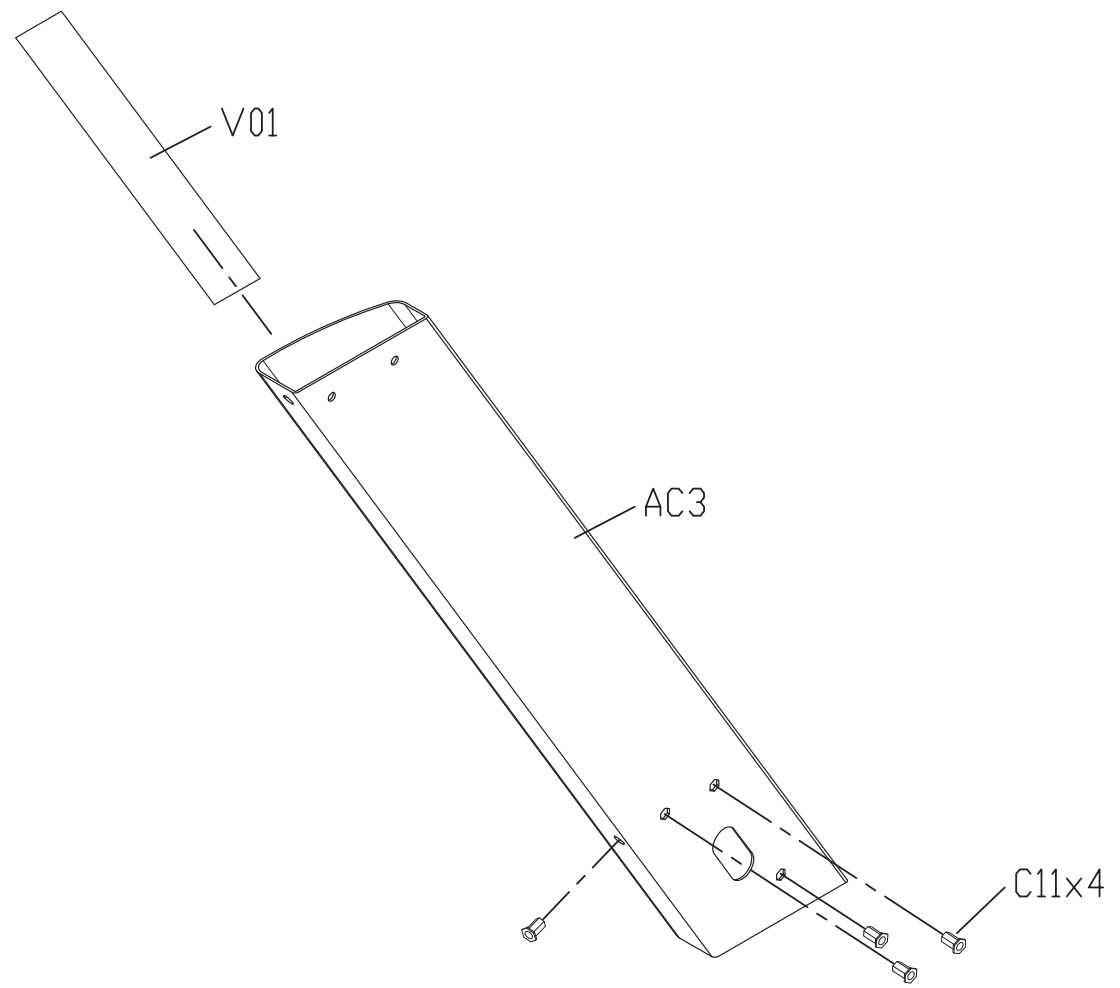
0000091087



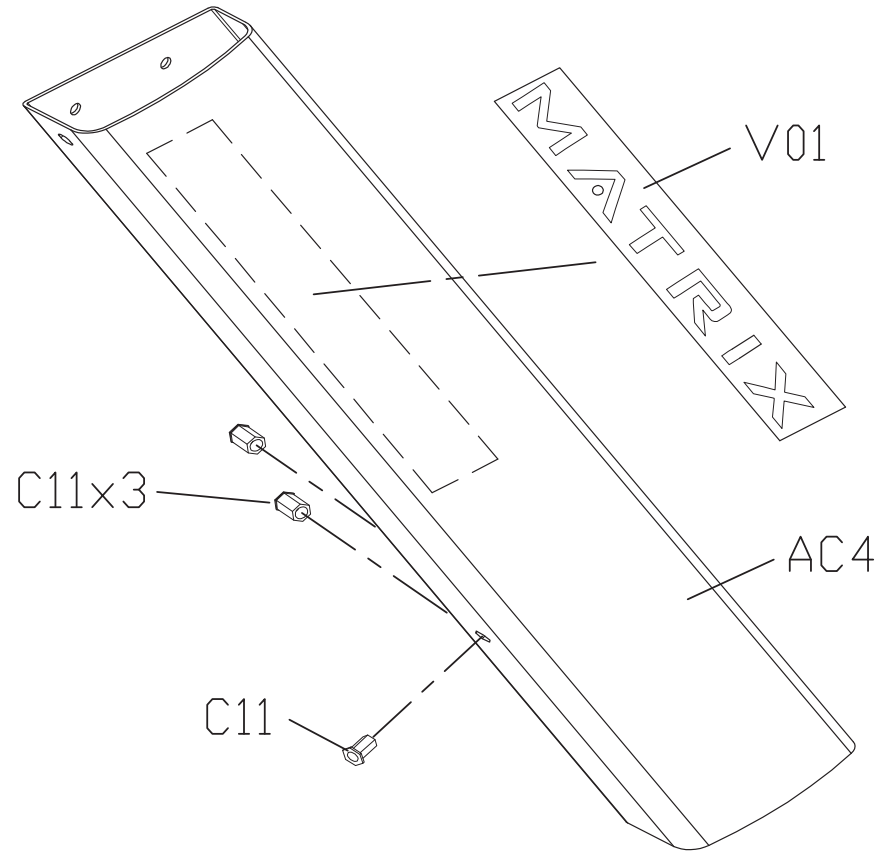
0000091088



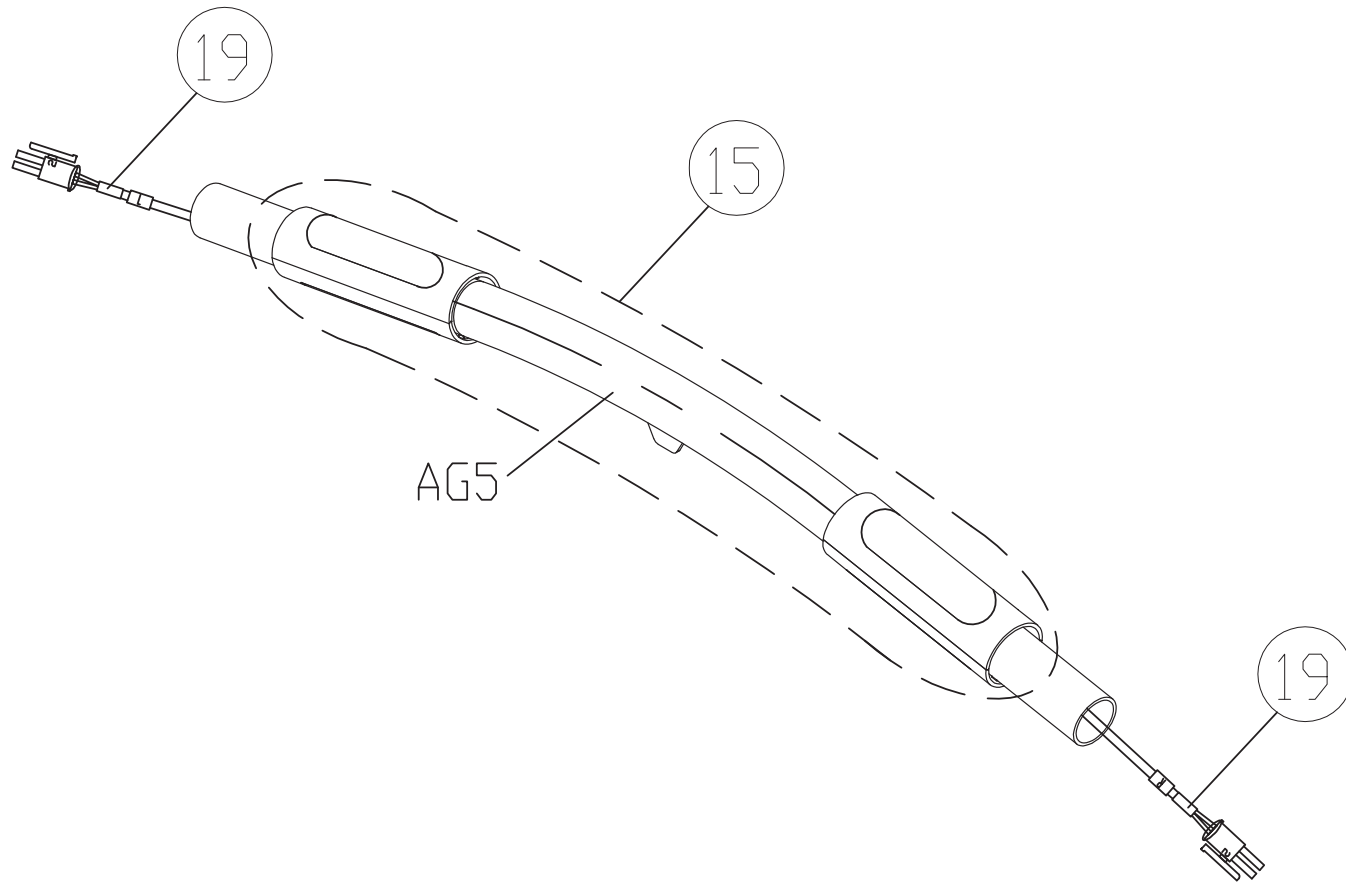
0000087208



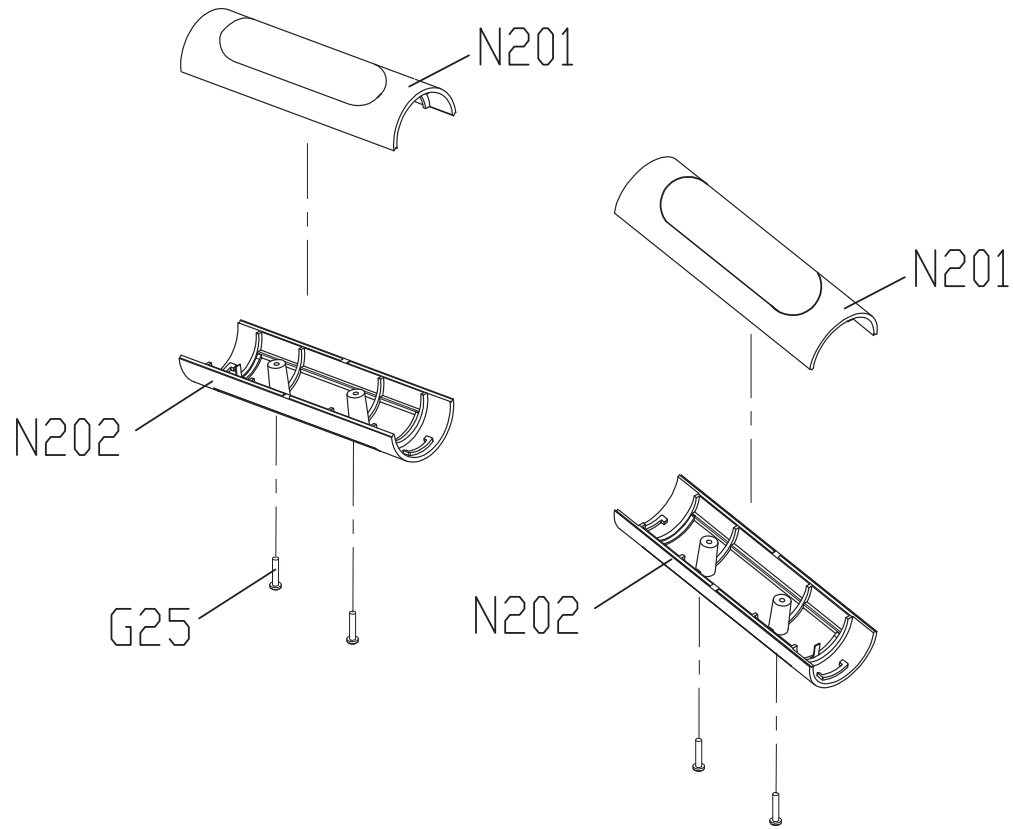
0000087204



0000087210



0000092183



0000093027

